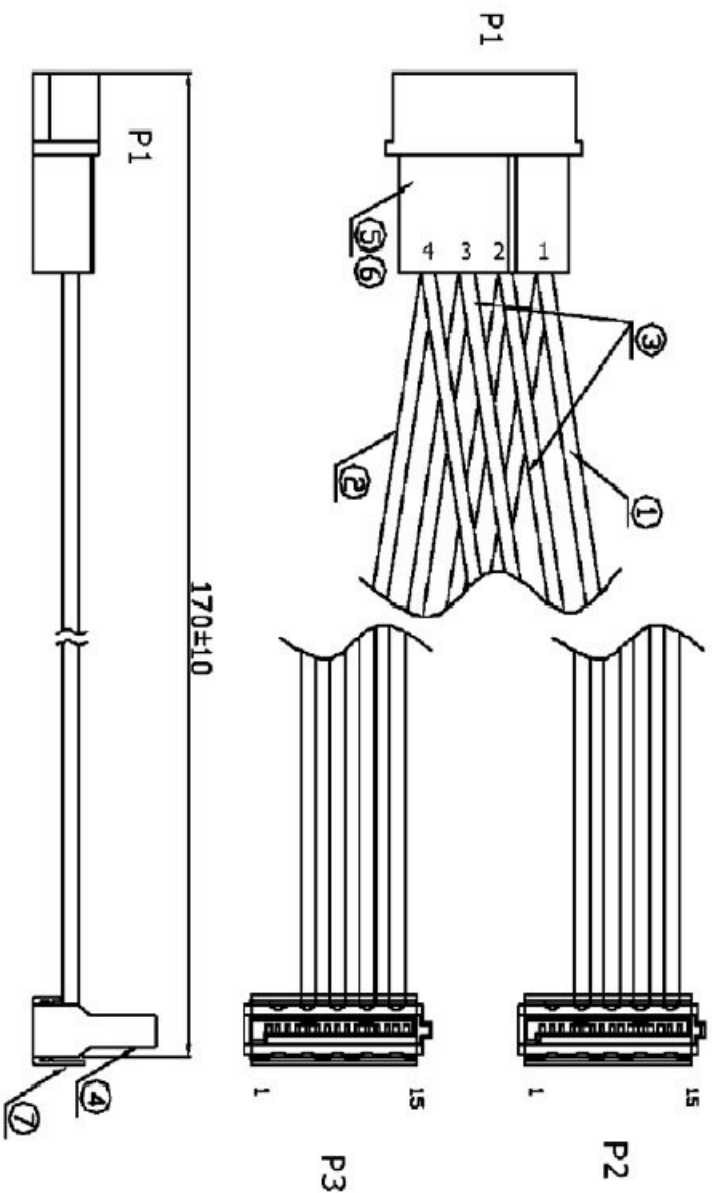
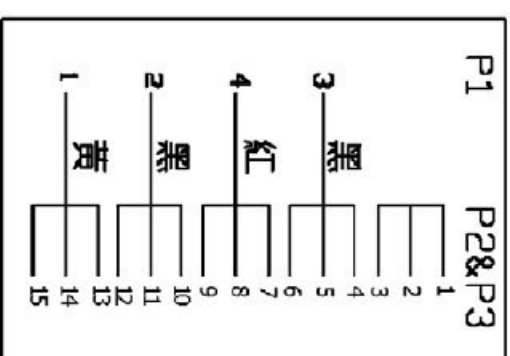


### 接點對應關係



|        |       |               |                              |      |
|--------|-------|---------------|------------------------------|------|
| ⑦      | 尾蓋    | S205903900    | SATA 15F-K, IDT, NYLON 66, 黑 | 2PCS |
| ⑥      | 膠芯    | S206003990    | 大四P, 公, #8261, 原色            | 1PCS |
| ⑤      | 端子    | S3A0104200    | 大四P, 公, 雙打                   | 4PCS |
| ④      | 連接器   | S6991415132P0 | SATA 15F-K, 刺破, Au G/F       | 2PCS |
| ③      | 線體(黑) | S410000000    | UL1007, #18, 80C, 300V, 黑色   | A/R  |
| ②      | 線體(紅) | S41020000     | UL1007, #18, 80C, 300V, 紅色   | A/R  |
| ①      | 線體(黃) | S41040000     | UL1007, #18, 80C, 300V, 黃色   | A/R  |
| Number | NAME  | P. N          | DESCRIPTION                  | Q'TY |

|                            |          |                       |   |
|----------------------------|----------|-----------------------|---|
| Ameri-Rack Technology Inc. |          | TOLERANCE UNSPECIFIED |   |
| NAME                       | SCALE    | UNIT                  | ± |
| SATA POWER CORD            | X        | MM                    | ± |
| DRAWING NO.                | SHEET    | DRAWN                 | ± |
| CBL-2C15RA14               | 1/1      | 8/18/2006             | ± |
|                            | DESIGNER | Vivian                |   |
|                            | CHECKED  | Reo                   |   |
|                            | APPROVED | Jenny                 |   |
|                            |          | Tim                   |   |

|              |    |
|--------------|----|
| RoHS product | A3 |
|--------------|----|